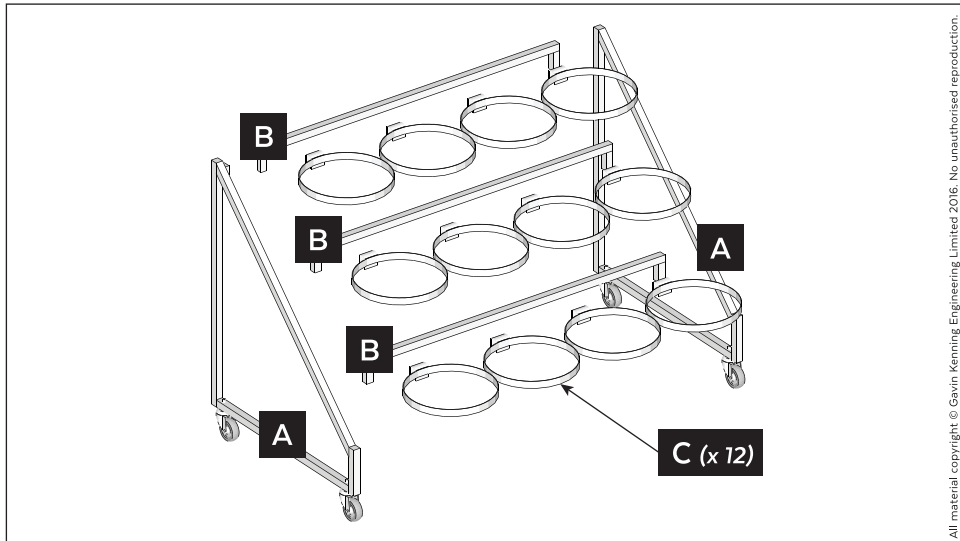
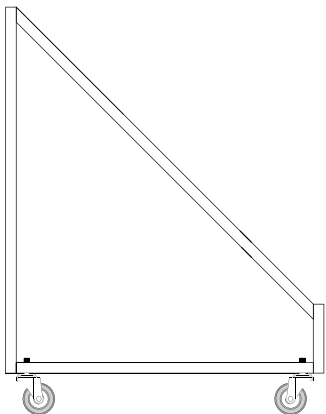

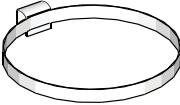



FLOWER DISPLAY STAND (12 BUCKET) ASSEMBLY GUIDE



All material copyright © Gavin Kenning Engineering Limited 2016. No unauthorised reproduction.

<p>A End Frame 2 pieces <input checked="" type="checkbox"/></p> 	<p>B Horizontal Connection Bars 2 pieces <input checked="" type="checkbox"/></p> 
	<p>B Hook Over Display Rings 12 pieces <input checked="" type="checkbox"/></p> 

 Please read the enclosed warning and disclaimer before attempting to assemble this product

Your hanging basket frame is designed to slot together by hand as shown in the diagram above. You do not require any specialist tools for assembly. Use the diagram in conjunction with the parts list to identify and place the parts within the assembly.

This product is manufactured by Gavin Kenning Engineering Limited in Derbyshire, England.
 For product support call 01773 607505 or email sales@tradersupplies.co.uk
 Spare parts and accessories can be purchased online at www.tradersupplies.co.uk

GAVIN KENNING
engineering

WARNING

X Do not use a steel hammer to assemble framework, doing so may cause damage to surface finishes or bodily injury.

Note: no specialist tools are required to assemble this product but if so required, use a rubber or wooden mallet only.

- !** When new, the framework assembly may be stiff. This stiffness will ease with regular use.
- !** When new, the framework of this product may contain loose metal filings. Be careful when first assembling.
- !** When new, oil residue may be present around connection points. Be careful when first assembling.

DISCLAIMER

Read this before setting up or using your Gavin Kenning Engineering Limited product.

Improper use of this product and/or its components can cause damage to equipment or property, serious personal injury or death.

Gavin Kenning Engineering Limited shall not be liable for any damages arising out of the use of this product, including, but not limited to, damages for economic loss of profits or savings, lost wages; damages to or loss of use of property; bodily injury; medical payments; pain and suffering; and loss of consortium.